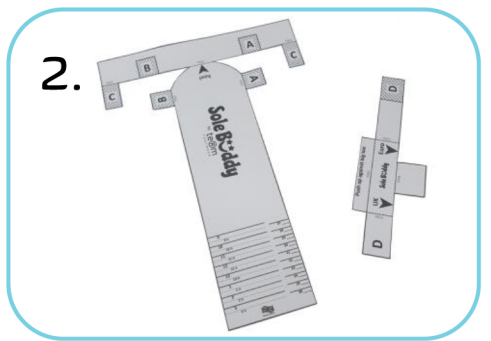
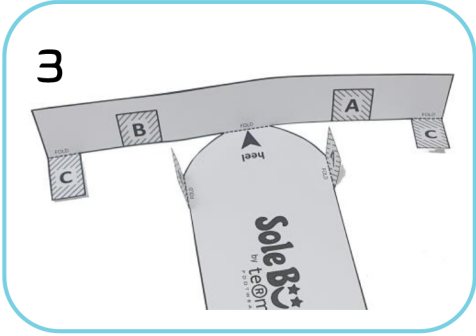


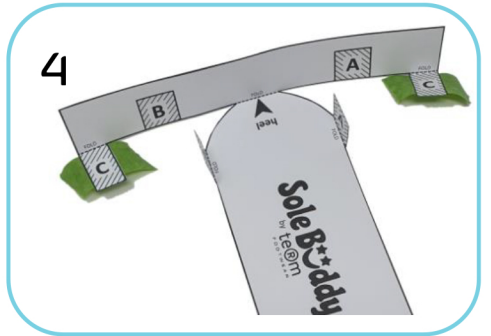
1. You'll need A4 print, Sticky tape and scissors



2. Cut out the two shapes



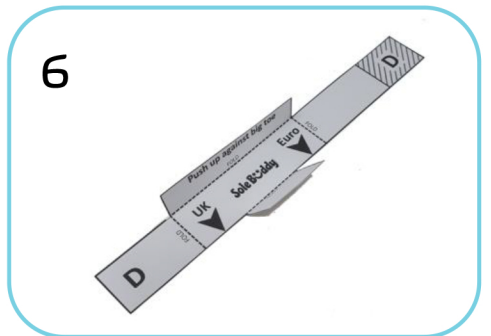
3. Fold along dashed lines like this



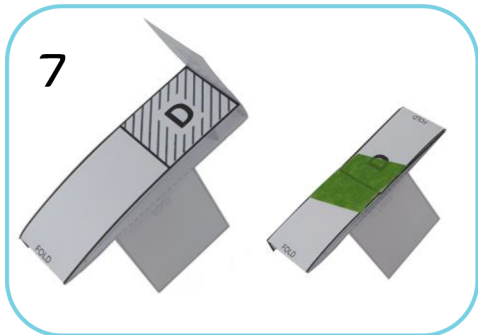
4. Fix sticky tape to underside of 'C'



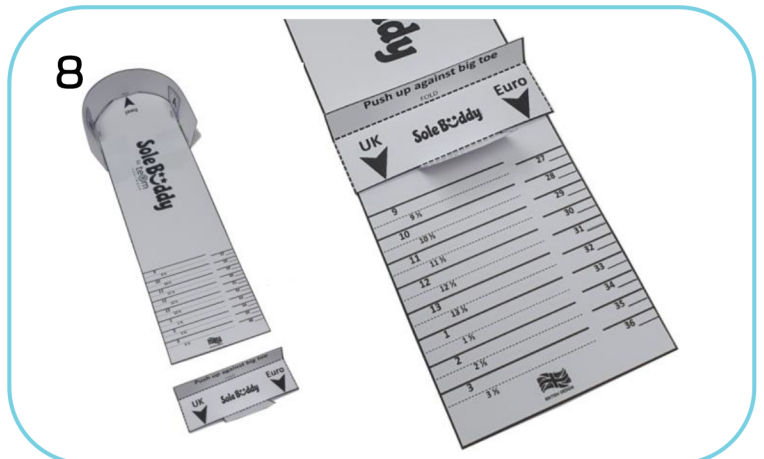
5. Try lining 'A' and 'B' tabs....fix 'C' to underneath the gauge



6. Fold along dashed lines on the Slider as shown



7. Fold and turn over...tape 'D' to secure



8. Assemble slider and gauge as shown to complete